

PowerAll

All-in-One for Home ESS

5 / 10 / 16 / 21 / 26 / 32kWh



Advantages

- Modular and integrated DC-coupled energy storage.
- Flexible battery capacity expansion.
- User-friendly one-button battery operation.
- Compatible with high current PV panels.
- Maximal battery energy with pack optimization.
- Extremely low battery self-consumption in sleep mode.
- Switchover time to critical loads less than 10 ms.
- MPPT.



SPECIFICATIONS

BATTERY	PA5	PA10	PA15	PA20	PA25	PA30
Battery Module Name	PA-BATTERY-5.3KWH	PA-BATTERY-10.7KWH	PA-BATTERY-16.1KWH	PA-BATTERY-21.5KWH	PA-BATTERY-26.8KWH	PA-BATTERY-32.2KWH
Battery Module	1	2	3	4	5	6
Battery Energy	5.376 kWh	10.752 kWh	16.128 kWh	21.504 kWh	26.880 kWh	32.256 kWh
Battery Capacity	105Ah	210Ah	315Ah	420Ah	525Ah	630Ah
Weight (Inverter and Battery)	87kg (192 lbs)	142kg (313 lbs)	197kg (435 lbs)	252kg (556 lbs)	307kg (677 lbs)	362kg (798 lbs)
Dimension (L*D*H)	580*420*430mm	580*420*615mm	580*420*800mm	580*420*985mm	580*420*1170mm	580*420*1335mm
Battery Type	LiFePO4					
Battery Rated Voltage	51.2V					
Battery Working Voltage Range	40V ~ 58.4V					
Maximum Charging Current	100A					
Maximum Discharging Current	100A					
Cycle Life (25°C@60%DOD)	> 8000 cycles					
Cycle Life (25°C@80%DOD)	> 6000 cycles					
Max. Parallel Quantity	6					

INVERTER	EU	US
----------	----	----

Inverter Name	PA-INVERTER-EU-5KW	PA-INVERTER-US-5KW
---------------	--------------------	--------------------

PV CHARGE	
Solar Charge Type	MPPT
Maximum Output Power	5 kW
PV Charging Current Range	0 ~ 80A
PV Operating Voltage Range	120 ~ 500V
MPPT Voltage Range	120 ~ 450V

AC CHARGE	
Maximum Charge Power	2100W
AC Charging Current Range	0 ~ 60A
Rated Input Voltage	220V/230V
Input Voltage Range	90V ~ 280V

AC OUTPUT	
Rated Output Power	5 kW
Maximum Output Current	40A
Frequency	50Hz / 60Hz
Overload Current	40A

INVERTER OUTPUT	
Rated Output Power	5 kW
Maximum Peak Power	10 kVA
Power Factor	1
Rated Output Voltage (Vac)	230V
Frequency	50Hz / 60Hz
Auto Switch Period	UPS mode < 10ms / APL mode < 20ms
THD	< 3%
Communication Interface	RS485/RS232/USB/Bluetooth/Wi-Fi/APP

GENERAL	
---------	--

Charging Temperature Range	0 ~ 50°C
Discharging Temperature Range	-15 ~ 55°C
Operation Humidity	5% ~ 85%
Nominal Operation Altitude	< 4000m
Cooling Mode	Air Cooling
Noise	≤50 dB
Ingress Protection Rating	IP40
Operation Environment	Indoor
Installation Method	Horizontal
Alarms	Overcharge / Overdischarge / Overcurrent / Over temperature / Overvoltage / Low-voltage / Short Circuit
Design Life	20 Years
Warranty	10 Years
Compatible Inverters	Victron/Sol-Ark/SMA/Goodwe/Solis/SAJ /Growatt/Luxpower/SRNE/Voltronic/Deye etc.
Certifications	UN38.3

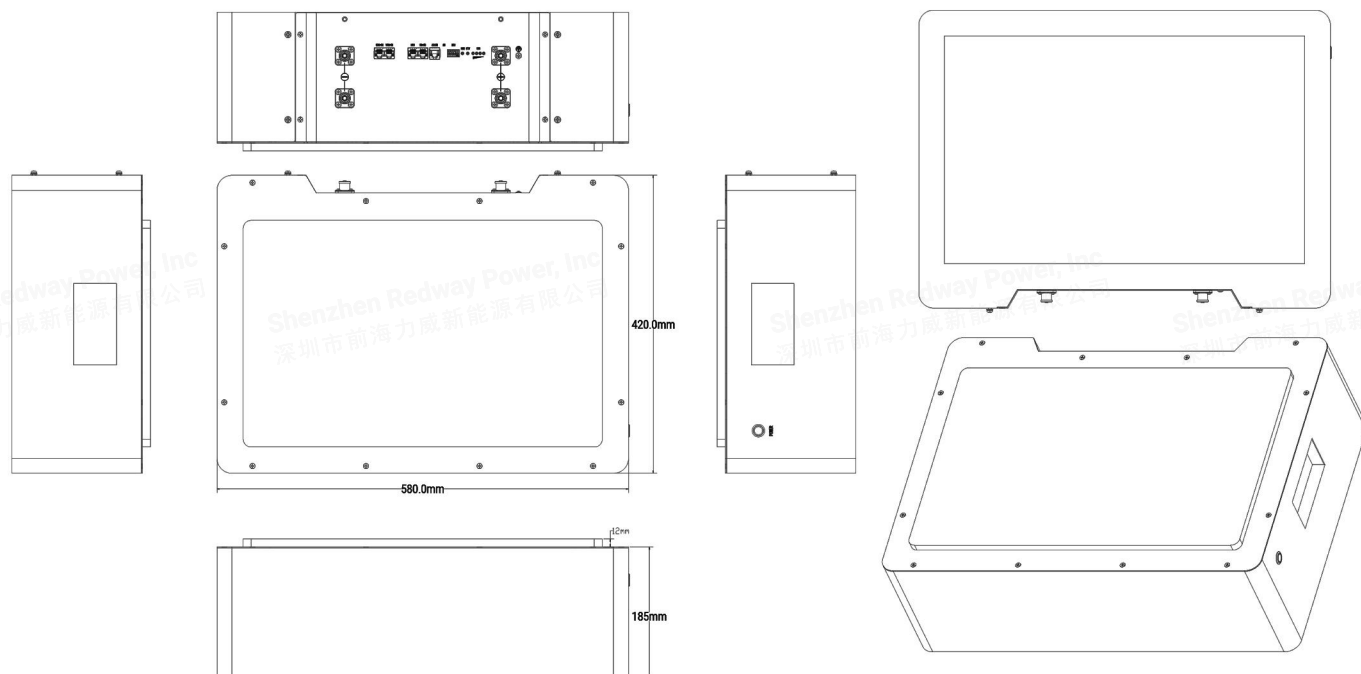
ALL-IN-ONE

MECHANICAL SPECIFICATIONS

BATTERY MODULE

Weight	46.5kg (102.5 lbs)
Dimensions (L x W x H)	580 x 420 x 185 mm
Mount Options	Horizontal Standing
Color	White / Black

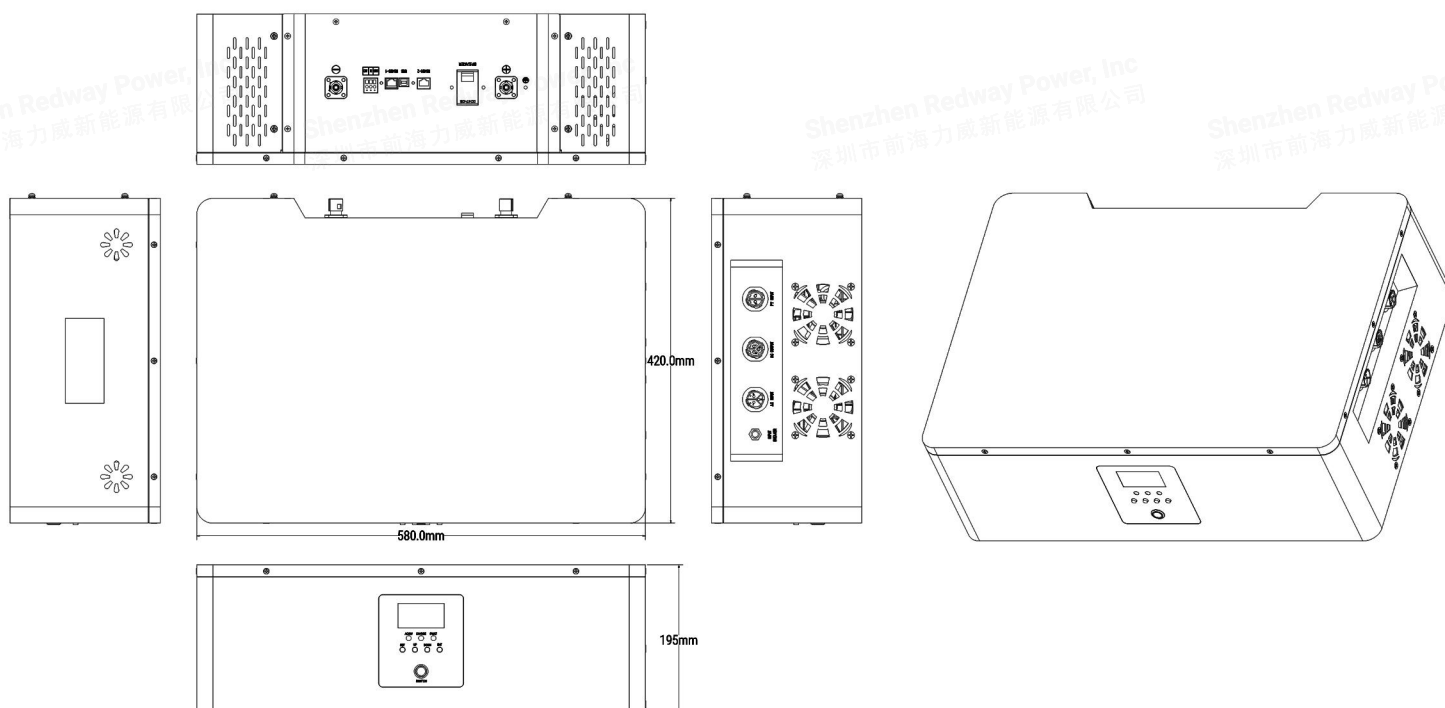
Note: Dimensions and weight differ slightly for each batch. Contact Redway for additional information.



INVERTER MODULE

Weight	15kg (33 lbs)
Dimensions (L x W x H)	580 x 420 x 195 mm
Mount Options	Horizontal Standing
Color	White / Black

Note: Dimensions and weight differ slightly for each batch. Contact Redway for additional information.



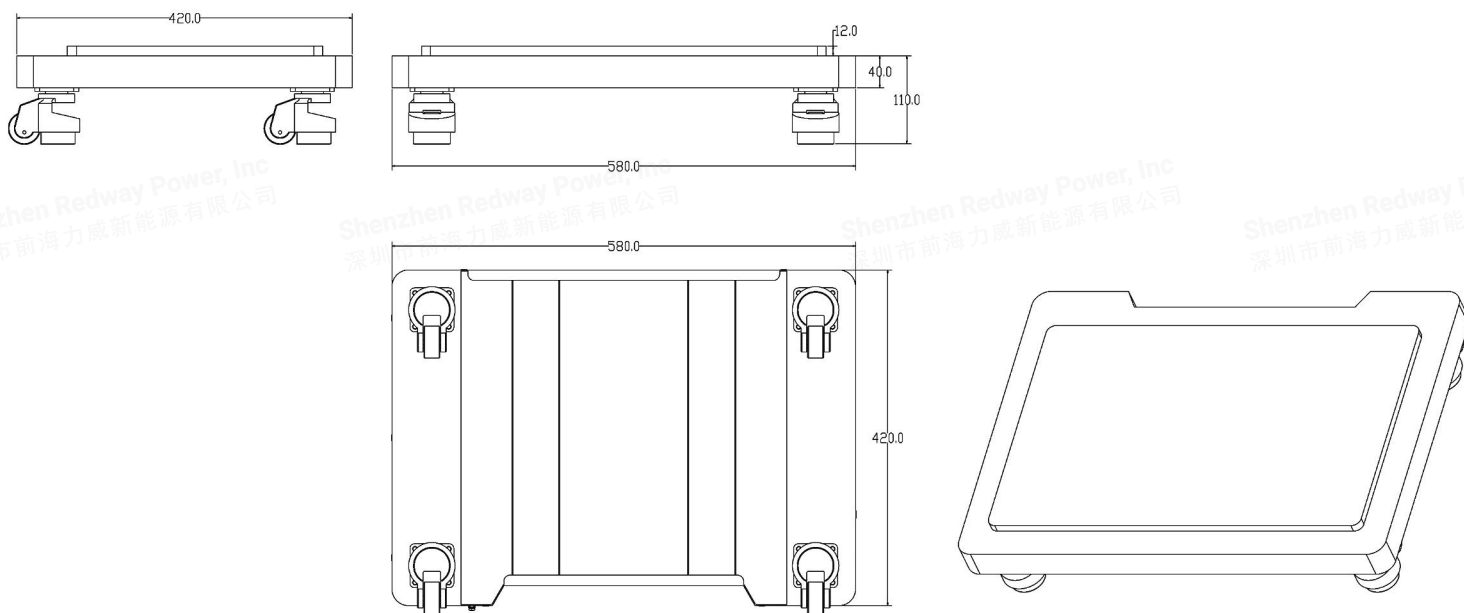
ALL-IN-ONE

MECHANICAL SPECIFICATIONS

BASE

Weight	6.5kg (14.3 lbs)
Dimensions (L x W x H)	580 x 420 x 110 mm
Mount Options	Horizontal Standing
Color	White / Black
Wheels	4

Note: Dimensions and weight differ slightly for each batch. Contact Redway for additional information.

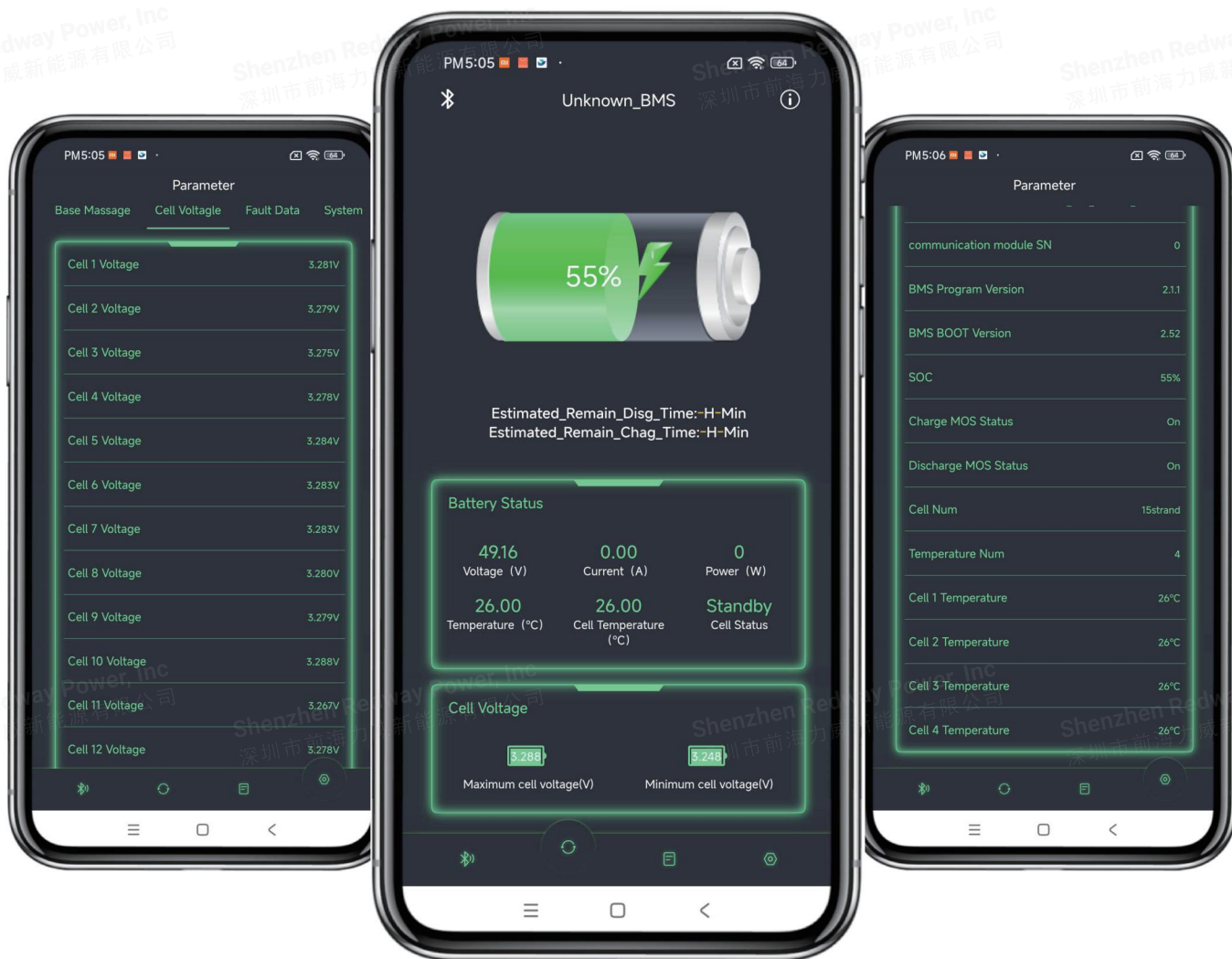


ALL-IN-ONE

APP INTERFACE (DEMO)

This Bluetooth APP can be operated by both Android and IOS. It establish a Bluetooth connection between your smart phone and the battery, usages includes below: managing the battery pack, gathering the data and displaying them, conducting modifications on settings. Bluetooth APP can achieve below functions:

1. Friendly APP interface, customizable interface UI.
2. Display the basic data of battery pack.
3. Modifying the communication between BMS and inverter.
4. Setting Alert Parameters and Switch On/Off.
5. Supports Android and IOS mobile operating systems.
6. Capable of real-time viewing and recording of battery status information.
7. Readable and writable real-time parameters of the BMS system.
8. Bluetooth module upgrades can be implemented through the APP.
9. Software upgrades for the BMS module.
10. Capable of networking and operating Bluetooth.
11. Wi-Fi configuration via Bluetooth.
12. Support Single and Parallel operation.
13. Shift between Chinese and English.



Note: This is just a demonstration interface, the standards for voltage and capacity vary among different batteries.